



Modflex™ Adjust-a-Bowl™

Antimicrobial toilet with Mach™ Tripoint™ flushometer
K-PR25042-T4HS

Features

- Fixture and touchless flushometer combination is engineered for optimal performance
- Elongated bowl offers added room and comfort
- Antimicrobial finish inhibits the growth of mold-, mildew-, stain-, and odor-causing bacteria on the fixture surface. This product does not protect users against bacteria, viruses, or other disease organisms. Always clean and wash this product thoroughly before and after each use
- 2-1/8" (54 mm) fully glazed trapway
- 10-1/2" x 7-1/2" (267 x 190 mm) water surface
- Adjustable connector enables replacement of wall-hung bowls with rim heights from 15" – 18" (381 – 127 mm) and outlets from 5" – 8" (76 – 127 mm)
- 1.28 gpf (4.8 lpf)
- Flush valve activation distance is factory-set
- No external flush volume adjustment ensures water conservation
- 24-hour automatic sentinel flush keeps trapway fresh
- Mechanical override enables flushometer to be used manually even during a power outage
- Chloramine and chlorine resistance on all rubber components exposed to waterway
- Locking stop cap provides protection against vandalism
- Powered by a 30 year/875,000 cycle hybrid energy cell, based on 72 uses per day
- For this combination, order K-25042-SS bowl and K-10TH00N10 flushometer

Material

- Vitreous china bowl
- Brass flush valve with durable polished brass finish

Technology

- Electronic infrared sensor with Tripoint™ technology for accurate activation

Installation

- Designed to cover existing footprint of any wall bowl on the market
- Seat sold separately



Codes/Standards

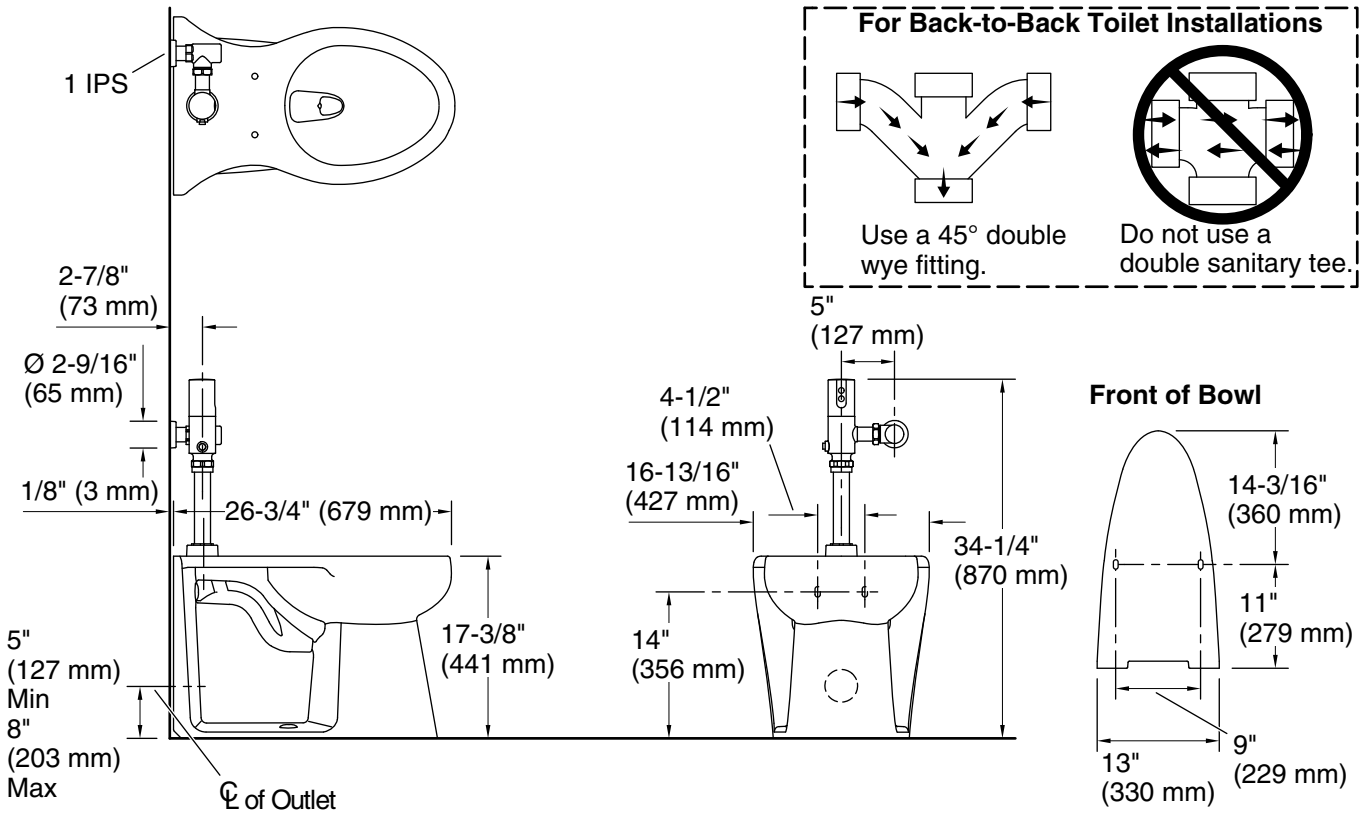
ASME A112.19.2/CSA B45.1
ASME A112.18.1/CSA B125.1
ASSE 1037/ASME A112.1037/CSA B125.37
DOE - Energy Policy Act 1992
EPA WaterSense™
California Energy Commission (CEC)

KOHLER® One-Year Limited Warranty

See website for detailed warranty information.



Modflex™ Adjust-a-Bowl™
 Antimicrobial toilet with Mach™ Tripoint™ flushometer
K-PR25042-T4HS



Technical Information

All product dimensions are nominal.

- Toilet type: Floor-mount
- Waste Outlet: Wall
- Bowl shape: Elongated
- Flush type: Flushometer valve siphon
- Spud size: 1 1/2, Inlet, Top
- Trap passageway: 2-1/8" (54 mm)
- Water surface size: 10-1/2" x 7-1/2" (267 mm x 191 mm)
- Rim to water surface: 5-3/4" (146 mm)
- Rough-in: 5" (127 mm)
- Seat-mounting holes: 5-1/2" (140 mm)

Fixture Supply Requirements

- Min static pressure: 35 psi (241.3 kPa)
- Max static pressure: 80 psi (551.6 kPa)
- Min flowing pressure: 25 psi (172.4 kPa)

Notes

Install this product according to the installation instructions.

1-800-4KOHLER (1-800-456-4537)

Kohler Co. reserves the right to make revisions without notice to product specifications.

For the most current Specification Sheet, go to www.kohler.com.

4-11-2023 02:04 - US/MX

